



FUNCTIONING

This launcher has a trigger-cocking mechanism. Pull trigger and the cylinder operates automatically (double action system). Launcher can also be cocked by hand (single action system).

Do not pull the trigger with an empty cylinder (dry fire), as the blank cartridge seats and the firing pin will be damaged.



SAFETY

When cylinder is swung out or not fully closed, the trigger mechanism is blocked. When the hammer is cocked, the cylinder cannot be swung out. The built-in automatic safety system prevents cartridges from being fired inadvertently.

LOADING

ONLY 6mm (.22) BLANKS CAN BE USED WITH THIS LAUNCHER

Always point muzzle towards the ground when loading crimped blanks. Push release on the left side of the frame forward (to disengage cylinder) and swing cylinder out to the left. Insert crimped blanks and push cylinder back into original position.

FIRING

Dry Firing (with no blanks in the chamber) will permanently damage Launcher

Screw cartridge muzzle cup onto the barrel. Insert 15 mm pyrotechnical cartridge into the end of the muzzle as per instructions on pyrotechnic cartridge packaging, ie: BLACK or HOLLOW end in first. Fire at 45-degree angle above ground. When all seven blanks are fired, it will be necessary to reload the cylinder.

REMOVAL OF FIRED SHELLS

Swing out cylinder as described above. When extractor (cylinder axle) is pushed backwards, the seven shells are ejected simultaneously.

CLEANING

After each use, clean the chamber, muzzle adaptor, and barrel with a 6mm bore brush and solvent. Dry all parts thoroughly after cleaning. Proper maintenance will increase the efficiency and life of the launcher.

It is extremely important that launcher & chamber be kept very clean, especially after heavy use, as it is possible for flash of blank to be impeded by carbon build up and flash backwards. It is also important to tighten the extractor - cylinder axle and muzzle cup to ensure that they do not work loose.

SAFETY INSTRUCTIONS

- Operator must only fire this launcher in area clear of all personnel. Personnel should be a minimum of 5 meters behind launcher operator. Always fire at a 45-degree angle above the ground.
- Do not make any modifications to any components of this launcher.
- Never load or fire this launching device from a vehicle or vessel. Do not fire at humans, animals, buildings, dry fields, or at any flammable materials or liquids. Keep an adequate distance from all flammable objects.
- Always wear a hardhat, safety glasses, and ear protection when using or handling this launching device.
- Never store launcher with crimped blanks or pyrotechnical cartridges inserted
- This device is intended solely for the purpose of wildlife management and control. The proper and safe use of this device is the sole responsibility of the operator/owner. The seller assumes no responsibility or liability for the improper or illegal use, resale, physical injury or property damage resulting from the deliberate or accidental discharge, modifications to the device or cartridges, careless operation, and launcher maintenance neglect. The seller guarantees care in manufacture but assumes no further responsibility
- Only responsible adults who have a clear understanding of the functionality of this device and a working knowledge of pyrotechnical scare cartridges and launchers should operate this tool. Persons under 18 years of age should not operate this device.
- Always keep this instructional sheet with the launcher
- This launcher is not a firearm: it is a powder-actuated tool.
- Failure to comply with these safety instructions could result in serious injury or death.

****IF UNCLEAR ON ANY OF THE ABOVE TOPICS, PLEASE CONTACT MARGO SUPPLIES LTD.****

RG 46 Signal Revolver

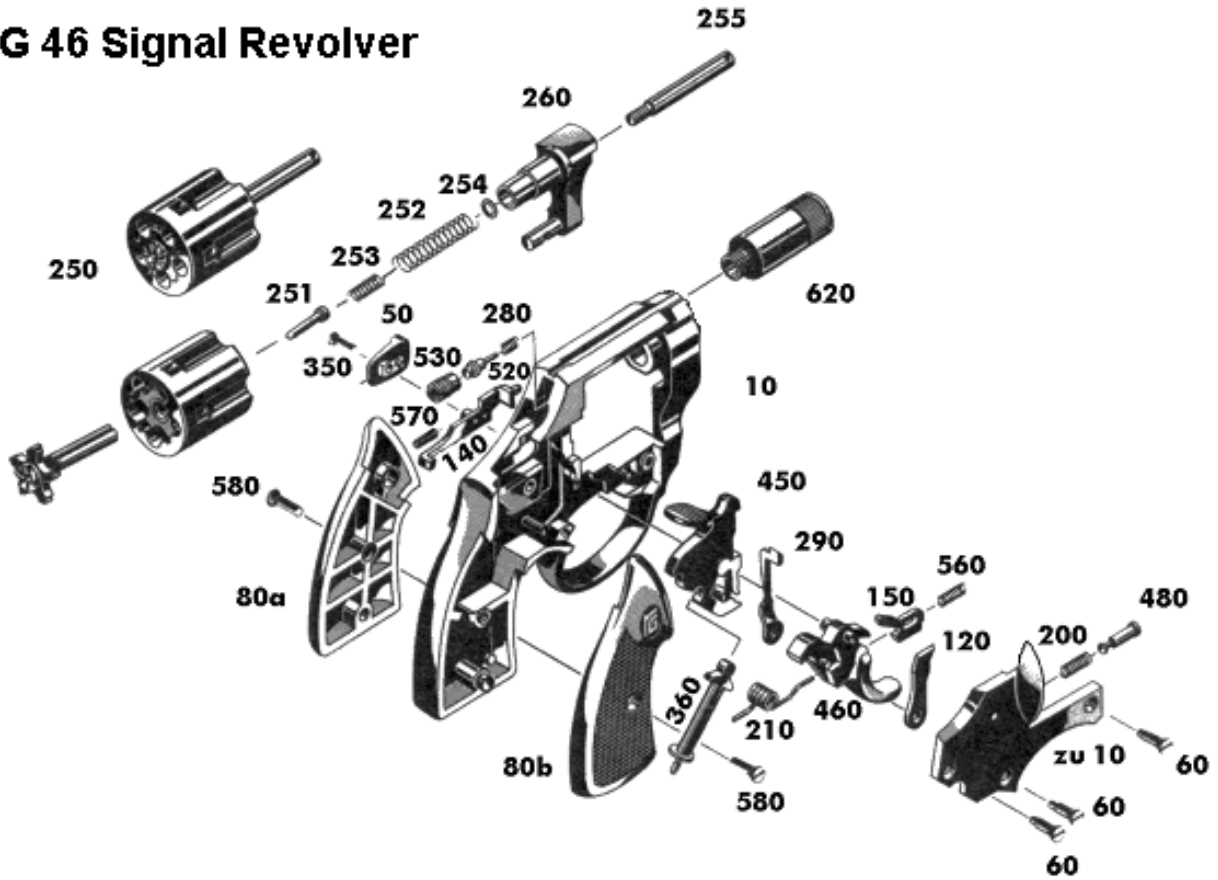


Diagram #	ID #	Description
10 ~	895339	Revolver Frame
50 ~	678661	Cylinder Release
60 ~	680480	Countersunk Screw
80a ~	687808	Left Handle Grip
80b ~	698635	Right Handle Grip
120 *	881935	Carrying Blade
140 ~	678670	Security Lever
150 ^	639196	Rest Blade
200 ^	005591	Pressure Spring
210 ^	806286	Trigger Spring
250 *	881942	Cylinder (complete)
251 ~	678681	Interlock Pin
252 ~	678698	Cylinder Spring (small)
253 ~	678682	Cylinder Spring (large)
254 ~	678671	Washer
255 ~	678685	Extractor (cylinder axle)

Diagram #	ID #	Description
260 *	881939	Cylinder Holder
280 ~	368443	Firing Pin Spring
290 ~	678679	Cocking Lever
350 ^	671097	Release Screw
360 ~	385148	Pressure Shuttlecock
450 ~	678680	Hammer
460 ~	678697	Trigger
480 ^	057092	Cylinder Latch Pin
520 *	881944	Firing Pin
530 ~	684205	Firing Pin Shell
560 ^	324461	Pressure Spring
570 ^	057096	Security Lever Spring
580 ^	306649	Handle Grip Screw
620 *	893450	Muzzle
zu 10 ^	012968	Frame Plate
	010546	Cylinder Brush

* Indicates RG 46/56 ~ Indicates RG 46/56/59 ^ Indicates RG 46/56/59/69/89/99