

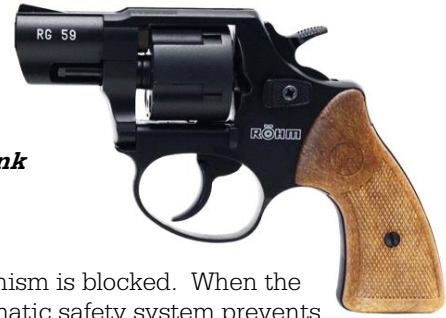
OPERATION AND SAFETY INSTRUCTIONS
RG-59 LAUNCHER
5 Shots, .380 Cal. 9mm BLANK CARTRIDGES ONLY (#6058)



FUNCTIONING:

This launcher has a semi-automatic trigger-cocking mechanism.. Pull trigger and the cylinder operates automatically (double action system). Launcher can, however, also be cocked by hand (single action system).

Do not pull the trigger with an empty cylinder (dry fire), as the blank cartridge seats and the firing pin will be damaged.



SAFETY

When cylinder is swung out or not fully snapped back the trigger mechanism is blocked. When the hammer is cocked, the cylinder cannot be swung out. The built-in automatic safety system prevents cartridges being fired inadvertently.

LOADING

ONLY 9mm (.380) BLANKS TO BE USED WITH THIS LAUNCHER

Always point muzzle to the floor when loading blanks. Push cylinder release on the left side of the frame forward (to disengage cylinder) and swing cylinder out to the left. Insert blanks and swing cylinder back into original position. To ensure maximum life of this launcher, do not use any black powder blanks, only use blank cartridges loaded with NC-powder.

FIRING

Dry Firing (with no blanks in the chamber) will permanently damage Launcher

Screw cartridge muzzle onto the barrel. Insert 15 mm pyrotechnical cartridge into the end of the muzzle as per instructions on pyrotechnic cartridge packaging, i.e.: BLACK or HOLLOW end in first. Fire at 45-degree angle above ground. When all five blanks are fired, it will be necessary to reload the cylinder.

REMOVING OF FIRED SHELLS

Swing out cylinder as described above in 'loading'. When extractor (cylinder axle) is pushed backwards the five shells are ejected simultaneously.

CLEANING

After each use clean blank chamber, muzzle adaptor and barrel with a 9mm bore brush and solvent or water. Dry all parts thoroughly after cleaning. Proper maintenance will increase the efficiency and life of the launcher.

It is extremely important, that launcher & chamber be kept very clean, especially after heavy use, as it is possible for flash of blank to be impeded by carbon build up and flash backwards. It is also important to tighten the extractor (cylinder axle) and muzzle cup to ensure that they do not work loose.

SAFETY INSTRUCTIONS:

- Operator must only fire this launcher in area clear of all personnel. Personnel should be a minimum of 5 meters behind launcher operator. Always fire at a 45-degree angle above the ground.
- Do not make any modifications to any components of this launcher.
- Never load or fire this launching device from a vehicle or vessel. Do not fire at humans, animals, buildings, and dry fields or at any flammable materials or liquids.
- Always wear a hardhat, eye, and ear protection when using or handling this launching device.
- Never store launcher with blanks or pyrotechnical cartridges inserted.
- This device is intended solely for wildlife management and control. The proper and safe use of this device is the sole responsibility of the operator/owner. The seller assumes no responsibility or liability for the improper or illegal use, resale, physical injury or property damage resulting from the deliberate or accidental discharge, modifications to the device or cartridges, careless operation, and launcher maintenance neglect. The seller guarantees care in manufacture but assumes no further responsibility.
- Only mature, responsible adults who have a clear understanding of the functions of this device and a working knowledge of pyrotechnical scare cartridges and launchers should operate this tool. Persons under 18 years of age should not operate this device.
- Always keep this instructional sheet with the launcher.
- This launcher is NOT a firearm: it is a powder-actuated tool.
- Failure to comply with these safety instructions could result in serious injury or death.

****IF UNCLEAR ON ANY OF THE ABOVE TOPICS, PLEASE CONTACT MARGO SUPPLIES LTD.****

OPERATION AND SAFETY INSTRUCTIONS
RG-59 LAUNCHER
5 Shots, .380 Cal. 9mm BLANK CARTRIDGES ONLY (#6058)

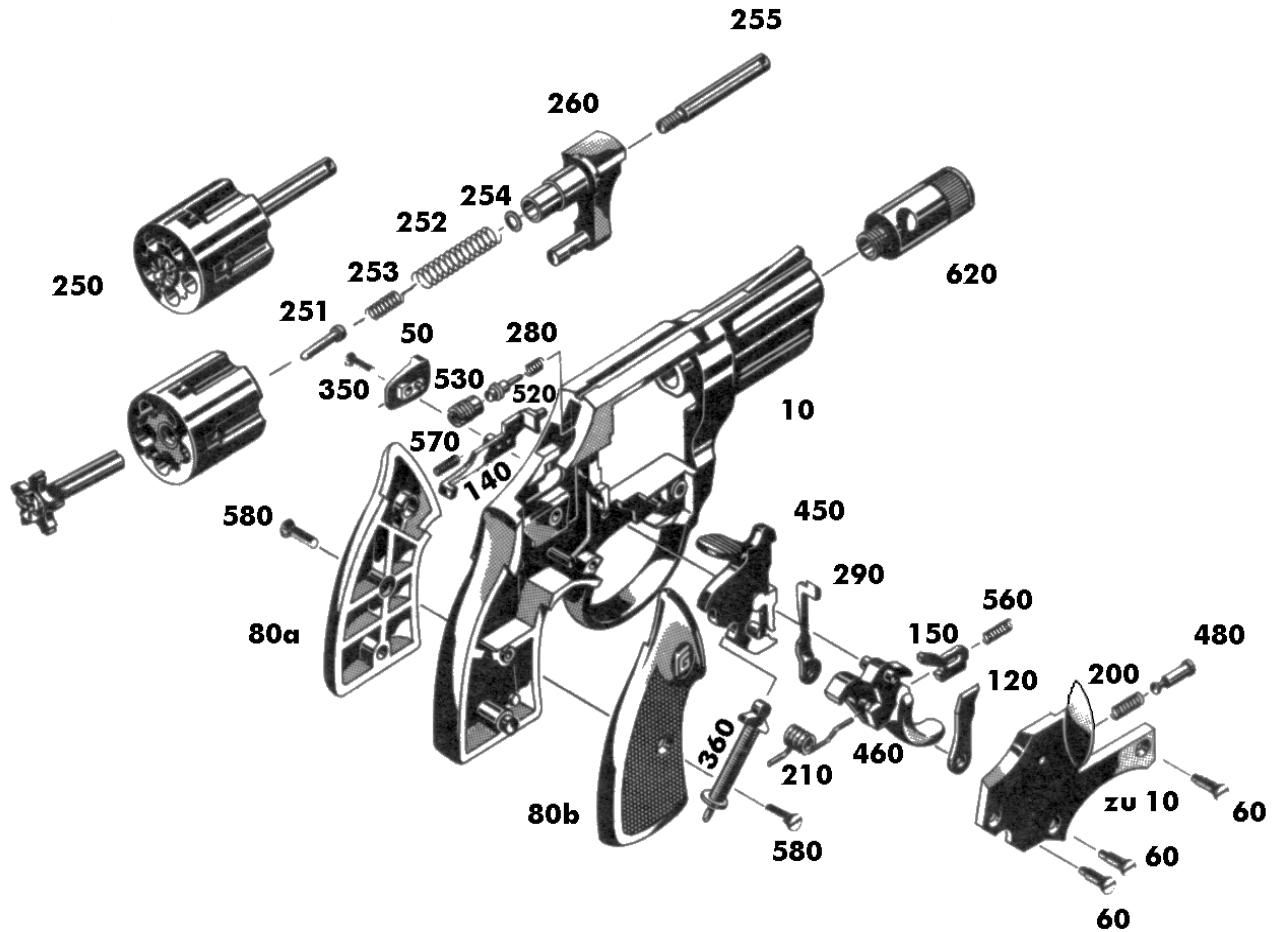


Diagram #	ID #	Description
10 ~	895339	Revolver Frame
50 ~	678661	Cylinder Release
60 ~	680480	Countersunk Screw
80a ~	687808	Left Handle Grip
80b ~	698635	Right Handle Grip
120	895342	Carrying Blade
140 ~	678670	Security Lever
150 ^	639196	Rest Blade
200 ^	005591	Pressure Spring
210 ^	806286	Trigger Spring
250	690894	Cylinder (Complete)
251 ~	678681	Interlock Pin
252 ~	678698	Cylinder Spring (large)
253 ~	678682	Cylinder Spring (small)
254 ~	678671	Washer
255 ~	678685	Extractor (cylinder axel)

Diagram #	ID #	Description
260	678677	Cylinder Holder
280 ~	368443	Firing Pin Spring
290 ~	678679	Cocking Lever
350 ^	671097	Release Screw
360 ~	385148	Pressure Shuttlecock
450 ~	678680	Hammer
460 ~	678697	Trigger
480 ^	057092	Cylinder Latch Pin
520	684203	Firing Pin
530 ~	684205	Firing Pin Shell
560 ^	324461	Pressure Spring
570 ^	057096	Security Lever Spring
580 ^	306649	Handle Grip Screw
620	1028305	Muzzle Cup
zu 10 ^		Frame Plate
	012968	Cylinder Brush

~ Indicates RG-46/56/59 ^ Indicates RG 46/56/59/69/89/99